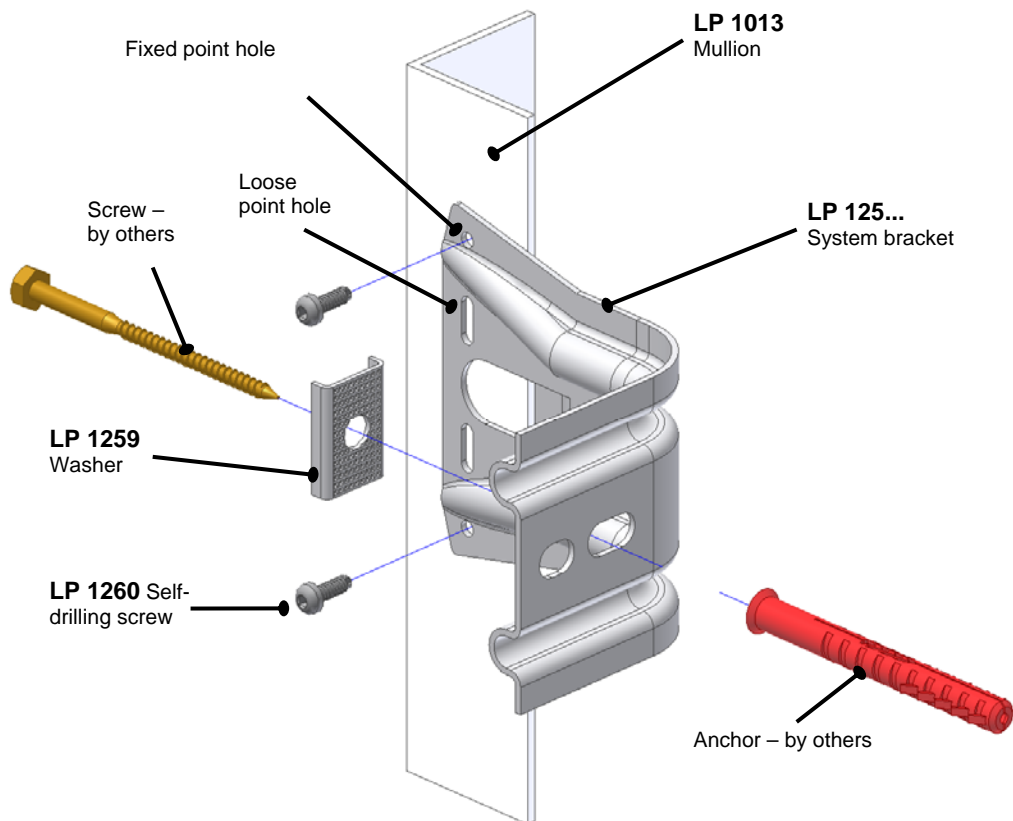


System components

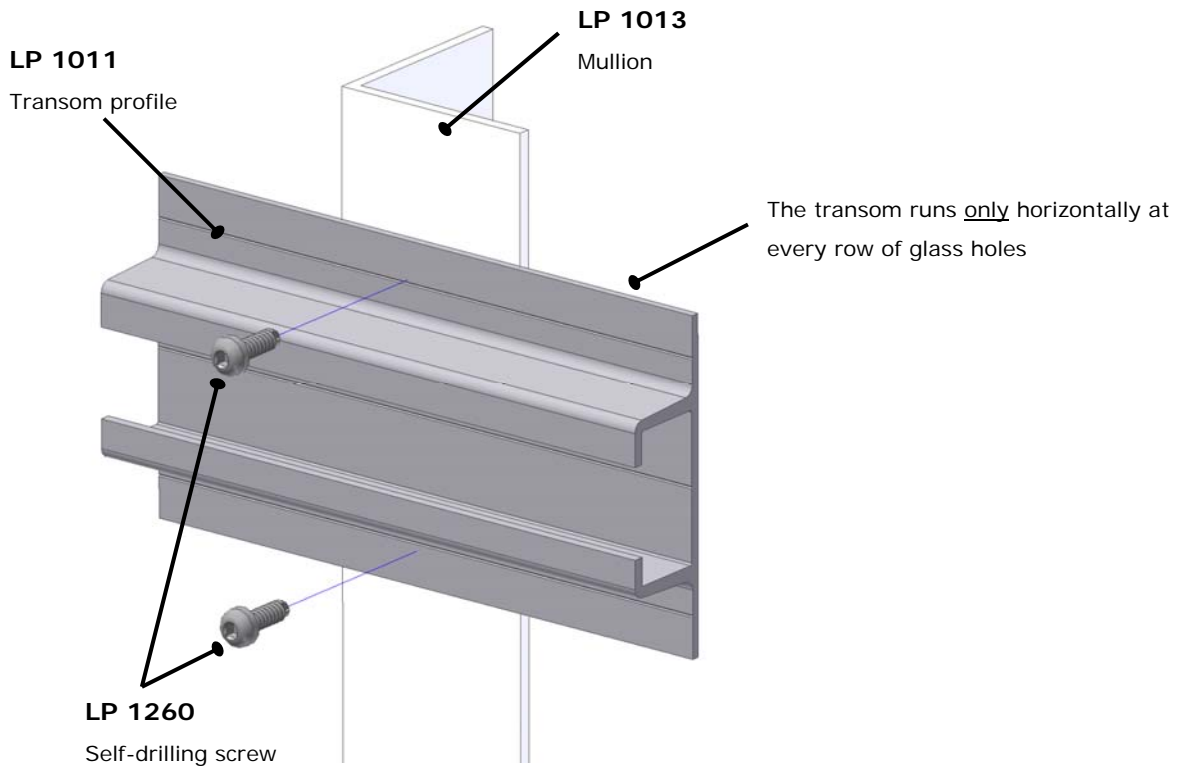
System components

Brackets, Mullion and accessories

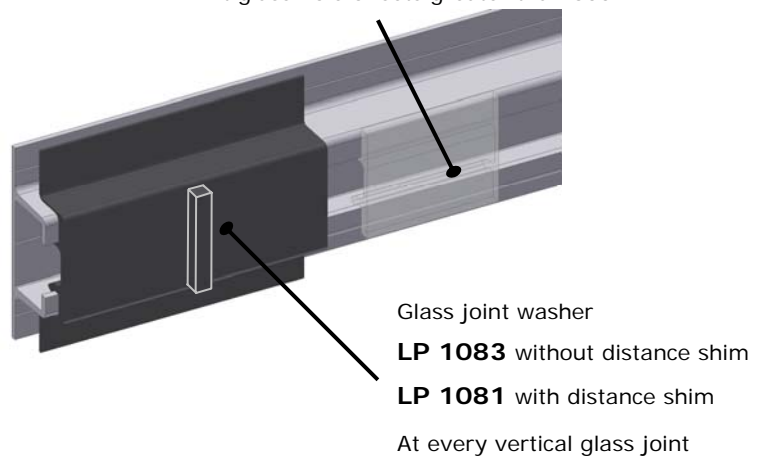
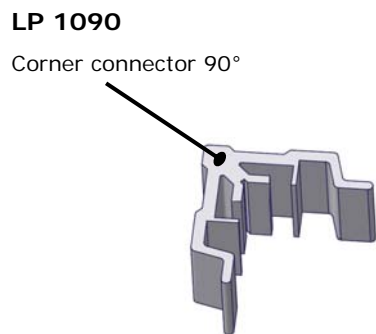


System components

Transoms, corner connectors and glass joint washers

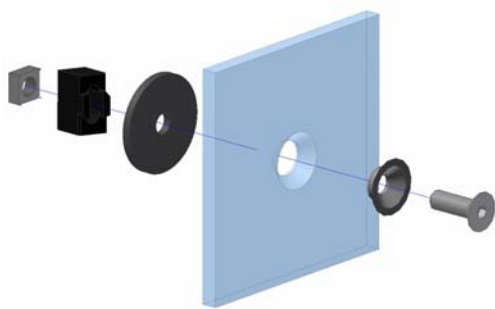


LP 1082
Distance block
At glass hole offsets greater than 600 mm



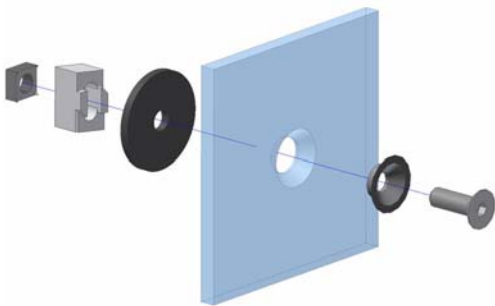
System components

Point-fixings – Fixed and Loose points



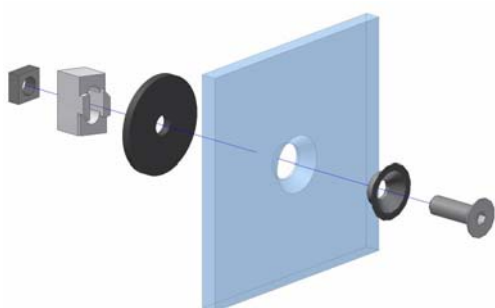
F: Fixed point LP 7000/08
LP 7000/10

Screw LP 1004 bzw. LP 1005
Bushing LP 1012
Washer LP 1010
Screw block black LP 1110
Special nut LP 1201



H: hor. Loose point LP 8000/08
LP 8000/10

Screw LP 1001 bzw. LP 1002
Bushing LP 1012
Washer LP 1010
Screw block grey LP 1111
Special nut LP 1201



L: Loose point LP 9000/08
LP 9000/10

Screw LP 1001 bzw. LP 1002
Bushin LP 1012
Washer LP 1010
Screw block grey LP 1111
Special nut LP 1202