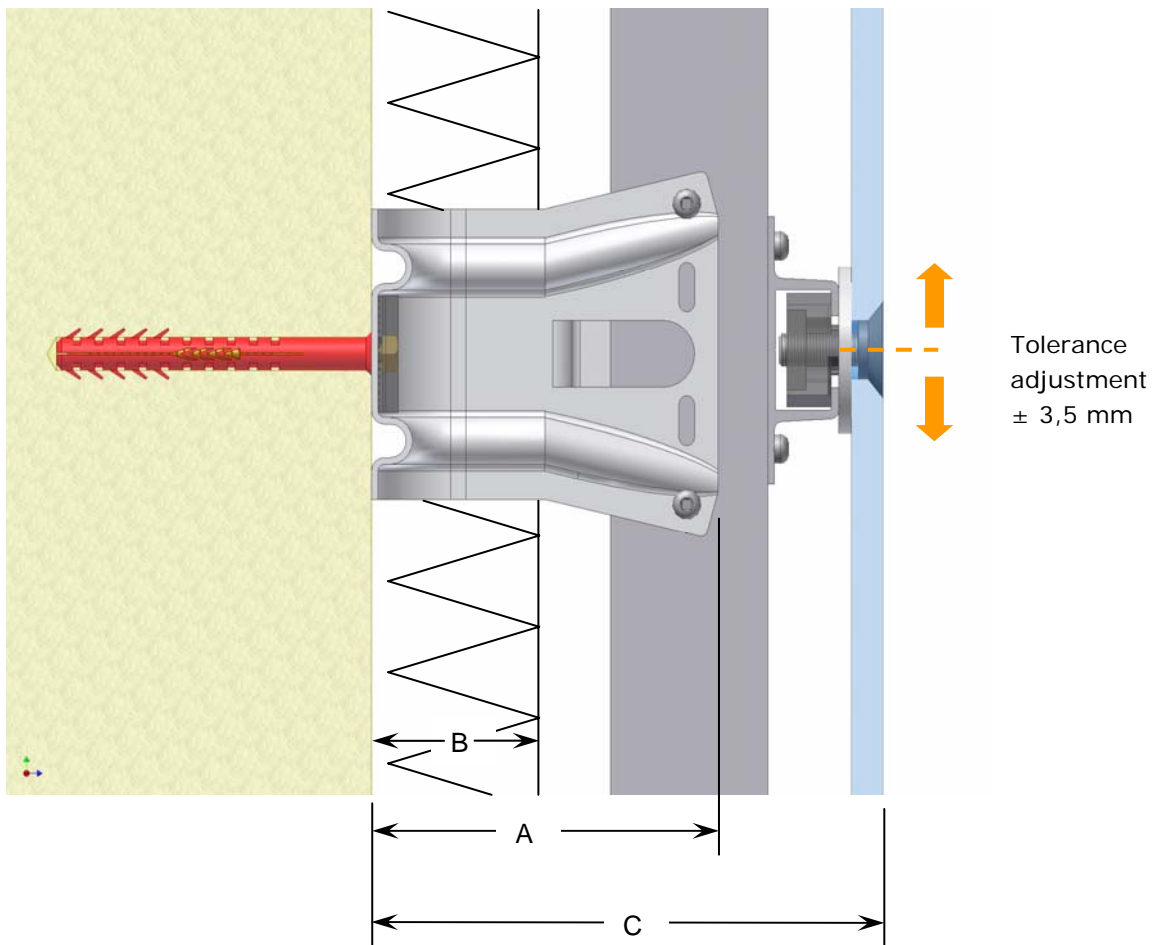


## System section



- A** Bracket length
- B** max. thickness of insulation
- C** distance – wall to glass – outer face

Brackets	A	B	C
LP 1250	85 mm	60 mm	125 - 150 mm
LP 1251	110 mm	80 mm	150 - 175 mm
LP 1252	135 mm	120 mm	175 - 200 mm
LP 1253	160 mm	140 mm	200 - 225 mm